



Rhino®

SPEC. NO. 100112
EFFECTIVE 10-01-12

WHEELED VEHICLE IMMOBILIZERS BOOTING ACCESSORIES

**FOR MODEL SELECTION
ASSISTANCE AND/OR
QUOTATION CALL**

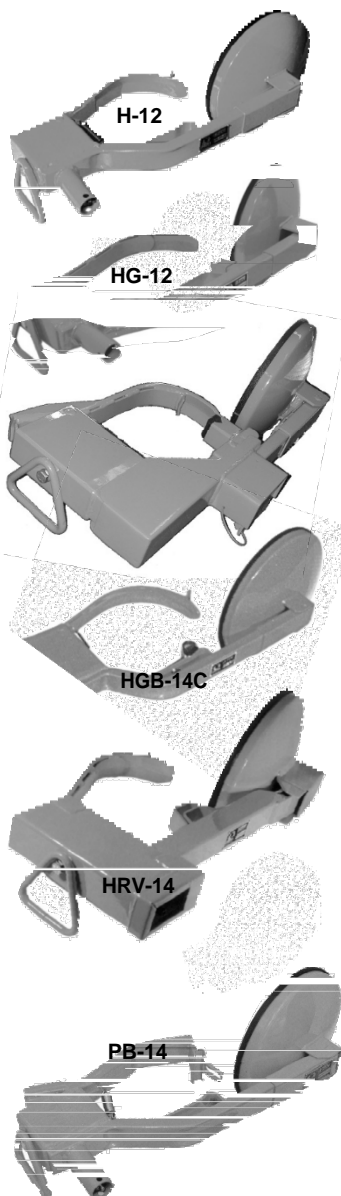
RJS Parking Ph. 603-836-5244

**YOUR CALL IS IMPORTANT
TO US! PLEASE LEAVE
MESSAGE AFTER HOURS.**



2012-2013 PRICE LIST - Page 1 of 4

H, HRV, HG & PB SERIES, "JAWLESS WHEEL ATTACHMENT SYSTEM" HOOK-LOC DOMED IMMOBILIZERS



<u>H Models</u>	PRICE EACH	1-3	4-10	11-24	25-49	50-74	75-100
FIT: All USA & Foreign Automobiles, light trucks & Trailers / SEE Catalog for wheel tire size range / 10", 12"							
H - 10	10" Wheel Cover	\$512.00	\$502.00	\$492.00	\$482.00	\$472.00	\$462.00
H - 12	12" Wheel Cover	\$523.00	\$513.00	\$503.00	\$493.00	\$483.00	\$473.00
H - 14	14" Wheel Cover	\$534.00	\$524.00	\$514.00	\$504.00	\$494.00	\$484.00

<u>HG Models</u>	PRICE EACH	1-3	4-10	11-24	25-49	50-74	75-100
FIT: ALL Automobiles. Light to Medium sized trucks, trailers & RV's. Including those with							
HG-12	12" Wheel Cover	\$622.00	\$612.00	\$602.00	\$592.00	\$582.00	\$572.00
HG-14	14" Wheel Cover	\$633.00	\$623.00	\$613.00	\$603.00	\$593.00	\$583.00
HG-15	15" Wheel Cover	\$644.00	\$634.00	\$624.00	\$614.00	\$604.00	\$594.00
HGB 2 Piece Models							
HGB-14C	12" Wheel Cover	\$622.00	\$612.00	\$602.00	\$592.00	\$582.00	\$572.00
HGB-15C	14" Wheel Cover	\$633.00	\$623.00	\$613.00	\$603.00	\$593.00	\$583.00
HGB-15C	15" Wheel Cover	\$644.00	\$634.00	\$624.00	\$614.00	\$604.00	\$594.00

<u>HRV Models</u>	PRICE EACH	1-3	4-10	11-24	25-49	50-74	75-100
FIT: ALL Automobiles, Light to Medium sized trucks, trailers & RV's, Including those with oversized wheels & tires							
HRV-12	12" Wheel Cover	\$622.00	\$612.00	\$602.00	\$592.00	\$582.00	\$572.00
HRV-14	14" Wheel Cover	\$633.00	\$623.00	\$613.00	\$603.00	\$593.00	\$583.00
HRV-15	15" Wheel Cover	\$644.00	\$634.00	\$624.00	\$614.00	\$604.00	\$594.00

Automobiles, Light to Medium sized trucks, trailers & RV's, Including those with oversized wheels & tires

FIT: ALL

<u>PB Models</u>	PRICE EACH	1-3	4-10	11-24	25-49	50-74	75-100
FIT: All USA & Foreign Automobiles, light trucks & trailers / Double "H" Model Strength & Weight / Fishplates at all hinge points							
PB - 12	12" Wheel Cover	\$737.00	\$727.00	\$717.00	\$707.00	\$697.00	\$687.00
PB - 14	14" Wheel Cover	\$748.00	\$738.00	\$728.00	\$718.00	\$708.00	\$698.00
PB - 15	15" Wheel Cover	\$759.00	\$749.00	\$739.00	\$729.00	\$719.00	\$709.00

<u>PBRV Models</u>	PRICE EACH	1-3	4-10	11-24	25-49	50-74	75-100
FIT: ALL Automobiles, Light-Medium sized Trucks, Trailers & RV's, Including those with oversized wheels & tires							
PBRV - 12	12" Wheel Cover	\$792.00	\$782.00	\$772.00	\$762.00	\$752.00	\$742.00
PBRV - 14	14" Wheel Cover	\$803.00	\$793.00	\$783.00	\$773.00	\$763.00	\$753.00
PBRV - 15	15" Wheel Cover	\$814.00	\$804.00	\$794.00	\$784.00	\$774.00	\$764.00

D SERIES, "SINGLE JAW WHEEL ATTACHMENT SYSTEM" DOMED IMMOBILIZERS





DS-12

<u>D Models</u>	PRICE EACH	1-3	4-10	11-24	25-49	50-74	75-100
FIT: STANDARD WHEELS 4" - 7" WIDE x 13" - 16.5" DIAMETER WHEELS 10", 12", & 14" Domed Wheel Covers Available							
DS 10	10" Wheel Cover	\$564.00	\$554.00	\$544.00	\$534.00	\$524.00	\$514.00
DS 12	12" Wheel Cover	\$574.00	\$564.00	\$554.00	\$544.00	\$534.00	\$524.00
DS 14	14" Wheel Cover	\$584.00	\$574.00	\$564.00	\$554.00	\$544.00	\$534.00

M SERIES MOTORCYCLE IMMOBILIZERS



M-4

FIT: USA & FOREIGN SPOKE AND SPOKELESS WHEELS ALL SIZES & MAKES							
<u>M Models</u>	PRICE EACH	1-3	4-10	11-24	25-49	50-74	75-100
M 4	Without Stand	\$424.00	\$414.00	\$404.00	\$394.00	\$384.00	\$374.00
M 4/S	With Stand	\$434.00	\$424.00	\$414.00	\$404.00	\$394.00	\$384.00

**NOTE: IMMOBILIZER PADLOCKS SOLD SEPARATELY
EXCEPTION: PADLOCK INCLUDED WITH C, PB, PBRV SERIES**

“Immobilizers for Anything on Wheels”

Security * Law Enforcement * Government * Municipalities * Medical Agencies * Aviation * Colleges & Universities * Parking Garages



Rhino®

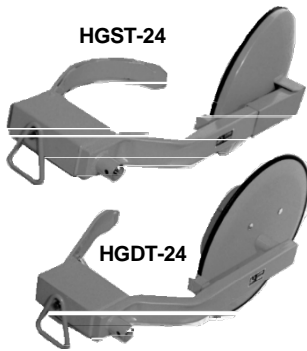
SPEC. NO. 100112
EFFECTIVE 10-01-12

WHEELED VEHICLE IMMOBILIZERS BOOTING ACCESSORIES

2012-2013 PRICE LIST - Page 2 of 4



“HG” MODEL / LARGE TRUCK, SEMI TRACTOR & TRACTOR TRAILER IMMOBILIZERS



HGST SERIES

FIT: SINGLE WHEELS 6"-8.25" WIDE X 19.5" - 22" DIAMETER WHEELS / 18", 20" or 24" Domed Wheel Cover / W/Protective Edge Beading

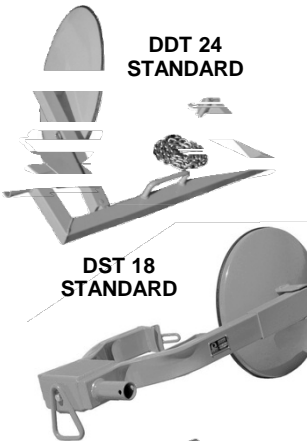
	PRICE EACH	1-3	4-10	11-24	25-49	50-74	75-100
HGST 18	18" Wheel Cover	\$759.00	\$749.00	\$739.00	\$729.00	\$719.00	\$699.00
HGST 20	20" Wheel Cover	\$792.00	\$782.00	\$772.00	\$762.00	\$752.00	\$742.00
HGST 24	24" Wheel Cover	\$847.00	\$837.00	\$827.00	\$817.00	\$807.00	\$797.00

HGDT SERIES

FIT: DUAL WHEELS WITH TWO 6"-8.25" WIDE X 19.5" - 22" DIAMETER WHEELS / 20", 22" or 24" Domed Wheel Cover

	PRICE EACH	1-3	4-10	11-24	25-49	50-74	75-100
HGDT 20	20" Wheel Cover	\$797.00	\$787.00	\$777.00	\$767.00	\$757.00	\$747.00
HGDT 22	22" Wheel Cover	\$808.00	\$798.00	\$788.00	\$778.00	\$768.00	\$758.00
HGDT 24	24" Wheel Cover	\$819.00	\$809.00	\$799.00	\$789.00	\$779.00	\$769.00

“D” MODEL / LARGE TRUCK, SEMI TRACTOR & TRACTOR TRAILER IMMOBILIZERS



DDT SERIES

FIT: DUAL WHEELS WITH TWO 6"-8.25" WIDE X 19.5" - 22" DIAMETER WHEELS / 14", 18" or 24" Domed Wheel Cover

	PRICE EACH	1-3	4-10	11-24	25-49	50-74	75-100
DDT 14	14" Wheel Cover	\$1100.00	\$1000.00	\$990.00	\$980.00	\$970.00	\$960.00
DDT 18	18" Wheel Cover	\$1166.00	\$1156.00	\$1146.00	\$1136.00	\$1126.00	\$1116.00
DDT 24	24" Wheel Cover	\$1221.00	\$1211.00	\$1201.00	\$1291.00	\$1281.00	\$1271.00

DST Models

FIT SINGLE WHEELS 6" - 8.25" WIDE X 19.5" - 22" DIAMETER / 14", 18" or 24" Domed Wheel Cover W/Protective Edge Beading

	PRICE EACH	1-3	4-10	11-24	25-49	50-74	75-100
DST 14	14" Wheel Cover	\$780.00	\$788.00	\$778.00	\$768.00	\$758.00	\$748.00
DST 18	18" Wheel Cover	\$810.00	\$800.00	\$790.00	\$780.00	\$770.00	\$760.00
DST 24	24" Wheel Cover	\$820.00	\$810.00	\$800.00	\$790.00	\$780.00	\$770.00

C SERIES AIRCRAFT IMMOBILIZERS

FIT: AIRCRAFT WITHOUT WHEEL COVERS/FAIRINGS CUSTOM MODELS AVAILABLE FOR ALL AIRCRAFT

C100 Models

C101	See Selection Guide	\$770.00	\$760.00	\$750.00	\$740.00	\$730.00	\$720.00
C102	See Selection Guide	\$803.00	\$893.00	\$883.00	\$873.00	\$863.00	\$853.00
C103	See Selection Guide	\$830.00	\$820.00	\$810.00	\$800.00	\$790.00	\$780.00
C104	See Selection Guide	\$880.00	\$870.00	\$860.00	\$850.00	\$840.00	\$830.00
C105	See Selection Guide	\$880.00	\$870.00	\$860.00	\$850.00	\$840.00	\$830.00

C400 Models

FIT: AIRCRAFT WITH WHEEL COVERS/FAIRINGS

C401	See Selection Guide	\$770.00	\$760.00	\$750.00	\$740.00	\$730.00	\$720.00
C402	See Selection Guide	\$803.00	\$793.00	\$783.00	\$773.00	\$763.00	\$753.00

C-SERIES SELECTION GUIDE

BEECHCRAFT		CESSNA CON'T		IAI		PIPER CON'T	
Bonanza	C101	Citation I,II,V	C102	Jet Commander	C102	Multi-Engine (Turbo)	C102
Baron	C101	Citation III,VI,VII	C102	Westwind	C102	ROCKWELL INTERNATIONAL	
Queen Air	C102	Citation X	C104	LEARJET		Twin/Turbo Cmdr.	C102
King Airs	C102	DASSAULT AVIATION		Learjet 23, 24, 25, 31,		SABERLINER	
BE1900	C102	Falcon 10, 100, 900	C102	35, 36, 54, 55, 56, 60	C102	NA40, 60, 65, 75	C102
Beechjet	C102	Falcon 20, 200	C105	MITSUBISHI		BOEING	
BELLANCA	C101	Falcon 50	C104	MU 2	C101	737	C103
BRITISH AEROSPACE		Falcon 900, 2000	C102	MU 300	C102	737-100, 200, 300,	
BAE 700,800,1000	C102	EMBRAER		MOONEY		400, 500, BBJ	C103
CANADAIR		EMB 120, 121, 135	C102	All Models	C101	CASA	
CL601,604, RJ100	C102	FAIRCHILD/SWEARINGEN		PIAGGIO		C-212, CN-235	C103
CESSNA		Metro/Merlin	C102	Avanti	C102	DORNIER	
Single Engine	C101	GULFSTREAM		PILATUS		DO328	C102
Caravan	C103	Gulfstream I, II, III, IV, V	C102	PC-9, -12	C102	FOKKER	
Multi-Engine (Piston)	C101, C102	HAWKER SIDDELEY		PIPER		50, 70, 100	C103
Conquest I,II	C102	AVRO	C103	Single Engine	C101	McDonnell DOUGLAS	
Citation Jet	C102			Multi-Engine (Piston)	C101, C102	DC-9, MD-80	C103

Note: padlocks sold separately

**WHEELED VEHICLE IMMOBILIZERS
BOOTING ACCESSORIES**

2012-2013 PRICE LIST - Page 3 of 4



IMMOBILIZER PARTS & BOOTING ACCESSORIES

PART NUMBER

SGN-1	Sign "PERMIT PARKING ONLY" VIOLATORS WILL BE TICKETED, BOOTED OR TOWED AT OWNER'S RISK & EXPENSE	\$ 79.00
SGN-2	Sign "NO PARKING" VIOLATORS WILL BE TICKETED, BOOTED OR TOWED AT OWNER'S RISK & EXPENSE	\$ 79.00
SGN-3	Sign "WARNING" PARKING VIOLATORS WILL BE IMMOBILIZED AND CHARGED A SERVICE FEE	\$ 79.00
SGN-6	Sign "WARNING ROADBLOCK AHEAD"	\$ 79.00
SGN-7	Sign "WARNING DO NOT ENTER ROADBLOCK AHEAD"	\$ 79.00
SGN-S	Sign Post 5' Height by 18" Diameter Base	\$165.00
SK-3	Secur-Key Fits: 300/400/500, C, M, HRV, H, HG, FRV, FS, FC, DRV, DS, & DC, Series Immobilizers	\$ 84.00
SK-3SH	Socket Head Secur-Key Fits: 3/8" Ratchet \ same models as SK-3	\$ 84.00
SK-4	Secur-Key Fits: PB Series Immobilizers	\$ 84.00
SK-4SH	Socket Head Secur-Key Fits: 3/8" RATCHET \ PB Series Immobilizers	\$ 84.00
SK-T	Secur-Key Fits: FDT/FST/DDT/DST Series Immobilizers	\$ 84.00
SK-3P	Secur-Key Fits: Personal Use Immobilizers	\$ 78.00
SB-RV	Secur - Bolt Fits: HRV, DRV & HRV Series Immobilizers	\$ 59.00
SB-S	Secur - Bolt Fits: 300/400/500, C, D, H, FS, & DS Series Immobilizers	\$ 56.00
SB-C	Secur - Bolt Fits: M, D325M, D326M, D331M, FC, & DC Series Immobilizers	\$ 53.00
SB-4	Secur - Bolt Fits: PB Series Immobilizers	\$ 59.00
SB-4P	Secur - Bolt Fits: PB Personal Use Series Immobilizers	\$ 59.00
SB-4RV	Secur - Bolt Fits: PBRV Series Immobilizers	\$ 63.00
SB-4PRV	Secur - Bolt Fits: PBRV Personal Use Series Immobilizers	\$ 59.00
SB-T	Secur - Bolt Fits: FDT/FST/DDT/DST Series Immobilizers	\$ 56.00
SB-P	Secur - Bolt Fits: Personal Use Immobilizers DSP, FSP, HP	\$ 52.00
SB-P2	Secur - Bolt Fits: Personal Use Immobilizers DCP, HGP, HCP & FCP MODELS	\$ 56.00
SB-P3	Secur - Bolt Fits: Personal Use Immobilizers HRV, HG, DRV & FRV MODELS	\$ 59.00
TS-1	Tension Spring Fits: ALL	\$ 5.00
VTD-6	Vinyl Trim for 6" (15.24 cm) Domed Immobilizers	\$ 7.00
VTD-8	Vinyl Trim for 8" (20.32 cm) Domed Immobilizers	\$ 9.00
VTD-10	Vinyl Trim for 10" (25.40 cm) Domed Immobilizers	\$ 11.00
VTD-12	Vinyl Trim for 12" (30.48 cm) Domed Immobilizers	\$ 18.00
VTD-14	Vinyl Trim for 14" (35.56 cm) Domed Immobilizers	\$ 22.00
VTD-18	Vinyl Trim for 18" (45.72 cm) Domed Immobilizers	\$ 26.00
VTD-24	Vinyl Trim for 24" (60.96 cm) Domed Immobilizers	\$ 30.00
SPECIAL ORDERS ADD \$25.00		
ML-4	Lock Assembly Fits: PB & PBRV Series Immobilizers	\$ 86.00
MLK-4	Master Pinlock Replacement Key Fits: ML-4 Assembly	\$ 22.00
APB-1	Abloy Padlock with Boron Steel Bolt Cutter Resistant Shank - Restricted Keyway	\$139.00
APk-1	Abloy Padlock Additional or Replacement Key	\$ 15.00
AP-1	American Padlock with Bolt Cutter Resistant Shank - Restricted Keyway	\$ 49.50
AK-1	American Padlock Additional or Replacement Key	\$ 6.60
BP-M1	MITI Rhino Padlock with Bolt Cutter Resistant Shank - Restricted Keyway	\$ 48.00
BK-1	MITI Rhino Padlock Additional or Replacement Key	\$ 6.60
LC-3	MITI Best Lock Cover \ Creates 3-Tier Locking System Fits: D, F, & H, HG Series (LOW PROFILE)	\$ 42.00
LC-32	Generic Lock Cover \ Creates 3-Tier Locking System Fits: D,F,& H, HG Series (HIGH PROFILE)	\$ 32.00
IS-3	Bi-Directional Immobilizer Stand Fits: FS, FC, DS, DC, FRV, DRV, M, HG, H Series	\$ 22.00
IS-T	Bi-Directional Immobilizer Stand Fits: FST & DST Truck Immobilizer Series	\$ 25.00
IN-1	Immobilizer Notice Tags: Orange, 10 Pads of 25 with Ties, Total of 250 Tags	\$ 85.00
KP-1	Knee Pad: Protects Knees & Clothing from Abrasion when Installing Immobilizer	\$ 29.00
DDT-C	Immobilizer Cart with Wheels Fits: DDT & FDT Series Immobilizers	\$275.00
RCI-1	Re Coat Entire Immobilizer Any Series (Orange)	\$ 95.00

Rhino®

WHEELED VEHICLE IMMOBILIZERS
BOOTING ACCESSORIES

SPEC. NO. 100112
EFFECTIVE 10-01-12



2012-2013 PRICE LIST - Page 4 of 4
IMMOBILIZER PARTS & BOOTING ACCESSORIES

METAL REPLACEMENT PARTS

DA-10	10" Dome Assembly Orange Coated: Need Serial # of Boot upon ordering.....	\$165.00
DA-12	12" Dome Assembly Orange Coated: Need Serial # of Boot upon ordering.....	\$176.00
DA-14	14" Dome Assembly Orange Coated: Need Serial # of Boot upon ordering.....	\$187.00
HIA-1	Hook-Lock Arm Assembly with/Pin Fits: H Models.....	\$143.00
HIARV-1	Hook-Lock Arm Assembly with/Pin Fits: HRV & HG Models.....	\$168.00
DOA-2	D-Series Inner Arm Assembly with/Channel Jaw Wheel Attachment Fits: DS.....	\$485.00
DOA-2	D-Series Outer Frame Assembly Orange Coated Fits: D Models.....	\$380.00
HOA-2	H-Series Outer Frame Assembly Orange Coated Fits: H Models.....	\$402.00
HOARV-2	H-Series Outer Frame Assembly Orange Coated Fits: HRV Models.....	\$484.00
HOAHG-2	H-Series Outer Frame Assembly Orange Coated Fits: HG Models.....	\$484.00

FOR MODEL SELECTION ASSISTANCE AND/OR QUOTATION

C A L L _

RJS Parking Ph. 603-836-5244

YOUR CALL IS IMPORTANT TO US! PLEASE LEAVE MESSAGE
AFTER HOURS.

TERMS:

- 1) ALL PRICES ARE IN U.S. DOLLARS (PACKAGING INCLUDED)
- 2) PRICES FOB GRAND JUNCTION, COLORADO 81504
- 3) TERMS 10 NET 30 WITH APPROVED CREDIT
- 4) CREDIT APPLICATION / APPROVAL REQUIRED: VISA, MASTERCARD AND DISCOVER ACCEPTED
- 5) WRITTEN PURCHASE ORDERS REQUIRED \ TRANSMISSION VIA FACIMILE PERMISSIBLE
- 6) PRICES & SPECIFICATIONS SUBJECT TO CHANGE WITHOUT NOTICE
- 7) DS, H, HG, HRV, M, DST IMMOBILIZER SERIES ARE SHIPPED BY UPS OR TO YOUR SPECIFICATIONS
- 8) DDT/DST SERIES ARE SHIPPED BY MOTOR FREIGHT OR TO YOUR SPECIFICATIONS
- 9) FOREIGN ORDERS SHIPPED WITH APPROVED IRREVOCABLE LETTER OF CREDIT OR PREPAYMENT

OPTIONAL SERVICES:

- Custom Wheel Cover Plates or Dome Sizes Available
- Custom Immobilizers Available to Suit Your Requirements
- Custom Name or Logo Silk Screening Available on Immobilizers
- Custom Colors Available
- Custom Signs Available
- Custom Immobilization Tags Available
- Quantity Pricing

SPECIAL EQUIPMENT & MODIFICATIONS AVAILABLE BY QUOTATION

SEE MITI- RHINO BROCHURE/CATALOGUE FOR SPECIFICATIONS AND PHOTOS



RJS PARKING PRODUCTS

MANCHESTER, NH

603-836-5244

WWW.RJSPARKING.COM

RJSPARKING@RJSPARKING.COM

"Immobilizers for Anything on Wheels"

Security * Law Enforcement * Government * Municipalities * Medical Agencies * Aviation * Colleges & Universities * Parking Garages

